



**BRAND**

WAC Lighting

**DESCRIPTION**

QP Ice Pendant features a Clear mouth blown glass shade with detailed artistry and frozen movement of melting icicles. Finish in Chrome, Brushed Nickel or Dark Bronze. Available in two sizes. Includes one 50 watt 12 volt JC GY6.35 Xenon bi-pin lamp, a 72 inch field adjustable suspension cable, and QP quick connect adapter. UL listed. Dimensions: 3.5 inch diameter x 7.75 inch or 12 inch height. Monopoint canopy required, sold separately.

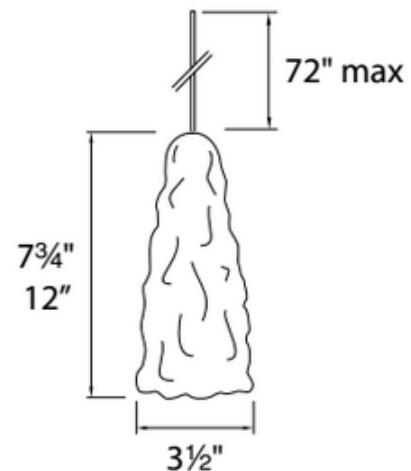


<b>SHADE COLOR</b>	Clear
<b>BODY FINISH</b>	Chrome
<b>WATTAGE</b>	50W
<b>DIMMER</b>	Dimmable
<b>DIMENSIONS</b>	84"L x 3.5"W x 12"H
<b>BULB INCLUDED</b>	
<b>LAMP</b>	1 x JC/GY6.35 (bipin)/50W/12V Krypton Xenon

*Technical Information*

<b>LUMINOUS FLUX</b>	450 lumens
<b>LUMENS/WATT</b>	9.00
<b>COLOR RENDERING</b>	85 CRI

**SPEC #** WAC196821



COMPANY	PROJECT	FIXTURE TYPE	APPROVED BY	DATE