



**BRAND** Visual Comfort Modern

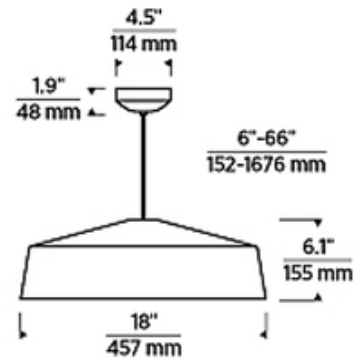
**DESCRIPTION**

The Masque Grande Pendant exhibits midcentury modern influence through its simple yet unique silhouette, while its meticulously hand-painted crown adds a distinctive polished element to the hand-blown shade. A gently curved diffuser inside evenly distributes LED light across your space. Suitable for residential and commercial applications, this pendant works well as a standalone or in multiples to illuminate entryways, dining areas and kitchen islands. 120V: TRIAC and ELV dimmable. 277V: 0-10V dimmable.



<b>SHADE COLOR</b>	Clear / White
<b>BODY FINISH</b>	White
<b>WATTAGE</b>	22W
<b>DIMMER</b>	Low Voltage Electronic
<b>DIMENSIONS</b>	74"L x 18"W x 6.1"H
<b>BULB INCLUDED</b>	
<b>LAMP</b>	1 x LED/22W/120V LED

**SPEC #** TLG198572



COMPANY	PROJECT	FIXTURE TYPE	APPROVED BY	DATE