

BRAND

Lightolier by Signify

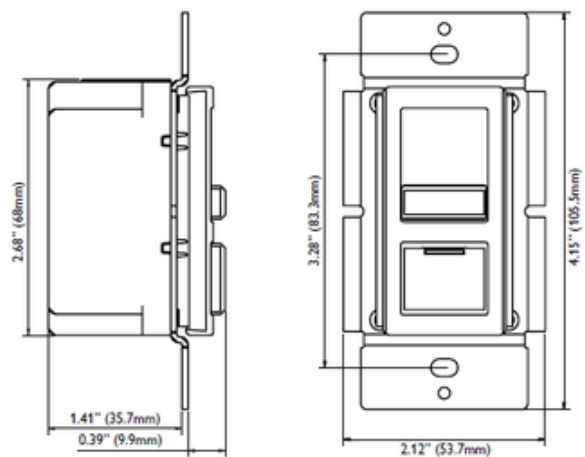
DESCRIPTION

Sunrise Preset Electronic 0-10V Dimmer is used to provide reliable dimming control for LED, compact fluorescent, and other commonly used lamps and fixture types, including 277V fluorescent ballast load control and 3-way compatability. 1200VA at 120V and 1500VA at 277V. For use with 0-10V dimmable LED drivers, Philips Advance, or Osram Sylvania Quicktronic Helios ballasts. Operation features slider knob for manual intensity control, soft start to a preset level, and on/off control. Mounts in a single gang wall box and can be used in multi-gang configuratons combined with a designer styled face plate. Includes field changeable plastics in White, Ivory and Light Almond to complement any decor. UL listed. 5 year product warranty.



SHADE COLOR	N/A
BODY FINISH	White
WATTAGE	1200W
DIMMER	0-10V
DIMENSIONS	2.1"W x 4.15"H x 1.41"D
LAMP	N/A

SPEC # LTL203261



COMPANY	PROJECT	FIXTURE TYPE	APPROVED BY	DATE