



DESIGNER

Manuel Vivian

BRAND

Axolight

DESCRIPTION

Sol LED Ceiling is made of aluminum alloy with a wrinkled White painted finish. Includes one 9 watt LED with either Warm White 3000K or Neutral White 4000K color temperature, 85CRI. Diffused light distribution. Suitable for indoor applications only. ETL listed. Dimensions: 11.25 inch width x 2.4 inch height x 4.4 inch depth. Includes integral 12 watt 700mA electronic Class 2 damp location dimmable LED power supply.

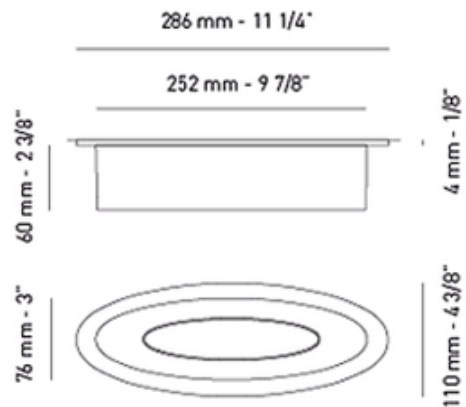


SHADE COLOR	N/A
BODY FINISH	White
WATTAGE	9W
DIMMER	Dimmable
DIMENSIONS	11.25"W x 2.5"H x 4.4"D
INTEGRATED LED MODULE	
LAMP	1 x LED/9W/120V LED

Technical Information

LAMP COLOR	3000K
COLOR RENDERING	85 CRI

SPEC # AXO206288



COMPANY	PROJECT	FIXTURE TYPE	APPROVED BY	DATE