



DESIGNER

Christophe Mathieu

BRAND

Bover

DESCRIPTION

Spock Swing Arm Wall Lamp features a zamac mold-injected hood and metal fixture finished in Brilliant Chrome or Chrome with White base and head. Swivel arm rotates 360 degrees and hood swivels 50 degrees from base. Includes sanded borosilicate glass diffuser. Electrical switch located on base. Must be mounted vertically. Includes four 1.2 watt LEDs, 2900K, 85 CRI, 340 lumens. Dimensions: 3.15 inch width x 4.91 inch height x 14.96 inch maximum arm extension. UL listed.

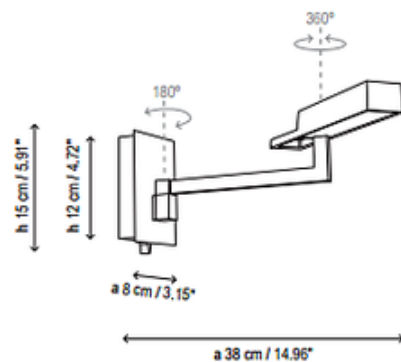


SHADE COLOR	N/A
BODY FINISH	Chrome
WATTAGE	4.8W
DIMMER	N/A
DIMENSIONS	3.15"W x 4.91"H x 14.96"D
INTEGRATED LED MODULE	
LAMP	4 x LED/1.2W/120V LED

Technical Information

COLOR RENDERING	85 CRI
------------------------	--------

SPEC # BOV213271



COMPANY	PROJECT	FIXTURE TYPE	APPROVED BY	DATE