



**DESIGNER**

Atelier OI

**BRAND**

Foscarini

**DESCRIPTION**

The Allegro Ritmico Suspension features a group of Black lines that create an elegant, fascinating symphony in a suspended, almost magical equilibrium and give life to a new lamp designed to feature in large public and private spaces. Aluminium elements flow and combine together to give the lamp a light, bodiless effect. Allegro provides diffused and direct down light. Can be dual switched for independent light control.



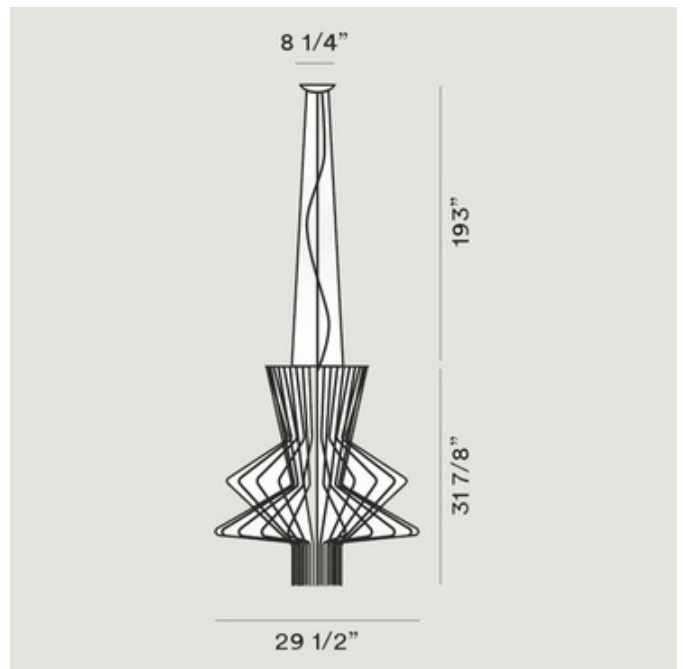
*Shown in: Black*

<b>SHADE COLOR</b>	N/A
<b>BODY FINISH</b>	Black
<b>WATTAGE</b>	275W
<b>DIMMER</b>	Standard 120V
<b>DIMENSIONS</b>	29.5"W x 31.9"H
<b>BULB NOT INCLUDED</b>	
<b>LAMP</b>	1 x PAR30/Medium (E26)/75W/120V Halogen 1 x T3LONG/RSC/200W/120V Halogen

*Technical Information*

<b>PRODUCT DIMENSIONS</b>	Cable: 193"L
---------------------------	--------------

<b>SPEC #</b>	FOS2152
---------------	---------



COMPANY	PROJECT	FIXTURE TYPE	APPROVED BY	DATE