



BRAND

Hadco by Signify

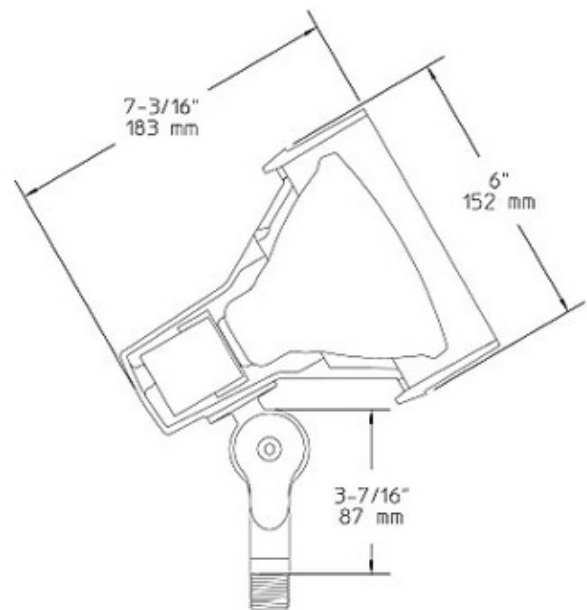
DESCRIPTION

1020 Aluminum Bullyte Accent Light is fabricated from die cast aluminum with fully adjustable swivel arm with vibration proof looking teeth. Thermoset polyester powdercoat finish in Bronze. One 150 watt, 120 volt PAR38 lamp is required, but not included. 6 inch width x 7.1 inch depth.. ETL listed for wet locations.



Shown in: Bronze

SHADE COLOR	N/A
BODY FINISH	Bronze
WATTAGE	150W
DIMMER	Standard 120V
DIMENSIONS	6"W x 7.1"D
BULB NOT INCLUDED	
LAMP	1 x PAR38/Medium (E26)/150W/120V Halogen 1 x PAR38/Medium (E26)/120V LED



SPEC # HAD21566

COMPANY	PROJECT	FIXTURE TYPE	APPROVED BY	DATE