

DWCL2 Composite Micro Beacon Fixture



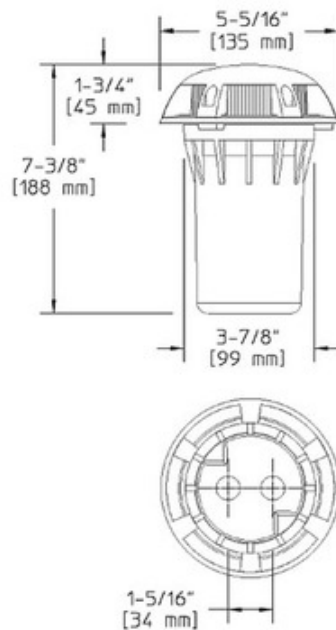
Description:

DWCL2 Composite Mini Beacon Fixture is constructed from a single piece compression molded fiberglass reinforced polyester composite material that is textured, pressure formed and molded-in-color in Black. Ribbed clear acrylic optical assembly. Prewired with 3 foot pigtail of 18-2 AWG wire. Low voltage quick connector LVC3 included for easy hook up to the low voltage supply cable not included. One 20 watt T3 bipin halogen lamp included. Lower wattage lamps are acceptable. 5.3 inch diameter x 7.4 inch overall high. Requires remote transformer not included. ETL listed for wet locations.

Shown in: Black / Clear

List Price: \$163.73
 Our Price: \$98.24

Shade Color: Clear
 Body Finish: Black
 Lamp: 1 x T3/Bipin/20W/12V Halogen
 Wattage: 20W
 Dimmer: Dimmable
 Dimensions: 7.4"H x 5.3"W



Product Number: HAD21635			
Company:		Fixture Type:	Date: Feb 17, 2018
Project:		Approved By:	

#0810EL-DWCL2A-002H1-00BK

Fax: (773) 883-6131

Phone: 866-954-4489

Address: 1718 W. Fullerton Ave. Chicago IL 60614

www.Lightology.com