



BRAND

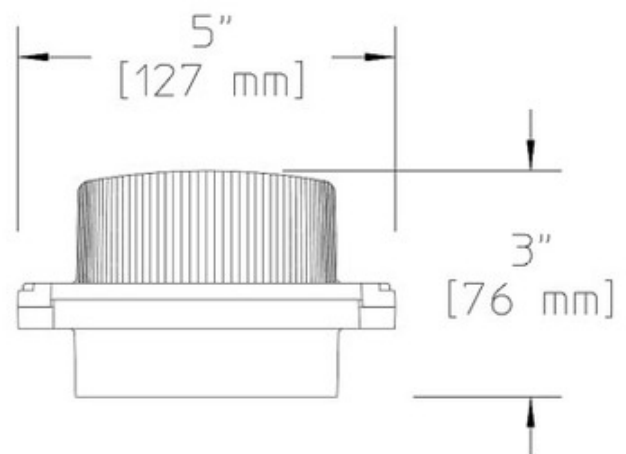
Hadco by Signify

DESCRIPTION

UWL1 Low Voltage Composite Underwater Fixture is fabricated from molded Lexan composite, internally weighted. Single piece molded silicone gasket to prevent water, dust and insect filtration. Includes optional reflector to block uplight. Composite is textured, pressure formed, molded in color in Black. 20 watt maximum T3 G4 bipin halogen lamp. 10 watt T3 G4 lamp is included with fixture. Pre-wired with 10 foot 16-3 AWG water resistant cord. 5 inch diameter x 3 inches high. ETL listed for wet locations. Requires remote transformer not included.



SHADE COLOR	N/A
BODY FINISH	Black
WATTAGE	10W
DIMMER	Dimmable
DIMENSIONS	5"W x 3"H
BULB INCLUDED	
LAMP	T3/G4 (bipin)/10W/12V Halogen



SPEC # HAD21689

COMPANY	PROJECT	FIXTURE TYPE	APPROVED BY	DATE