



**BRAND**

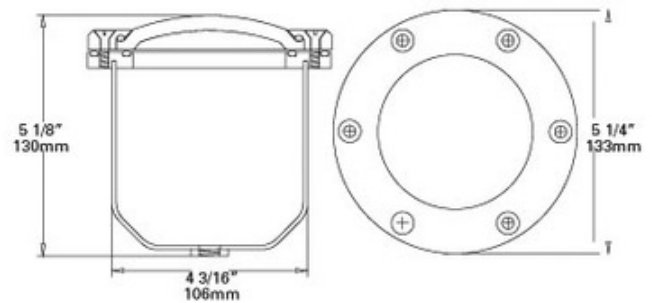
Auroralight

**DESCRIPTION**

Lighthouse is an exterior recessed wall light built to withstand harsh elements, including salt spray and alkaline soils. The housing is composed of copper alloy and sealed with three high-temperature silicone o-rings. The tempered borosilicate glass lens is slightly convex to shed water. Unique design allows 30 degrees of lamp tilt on a 360-degree axis. Beam spread angle available in 12, 24, 36 or 60 degrees. Includes frost diffusion lens and accessory retainer. Other accessories available include a deep cutoff hex baffle, MR16 size hex baffle, linear spread lens or color filters. (Holds up to two filters. All accessories except the deep cutoff baffle require use of the accessory retainer - included.) Stainless steel hardware included. Also available with bronze alloy grill. One 12-volt 50-watt MR16 halogen bipin lamp required. 20 and 35 watt lamping options also available. 12-volt remote transformer required. Upward directional light distribution. UL listed for wet locations. Housing is 4 inches wide x 5 inches deep. Faceplate if 5 inches wide.



<b>SHADE COLOR</b>	Frosted
<b>BODY FINISH</b>	Copper
<b>WATTAGE</b>	50W
<b>DIMMER</b>	Low Voltage Electronic
<b>DIMENSIONS</b>	5.25"W x 5.4"H
<b>BULB NOT INCLUDED</b>	
<b>LAMP</b>	MR16/GU5.3 (bipin)/50W/12V Halogen MR16/GU5.3 (bipin)/12V LED



**SPEC #** AUR21948

COMPANY	PROJECT	FIXTURE TYPE	APPROVED BY	DATE