



BRAND

Venetian Designs

DESCRIPTION

The Scudo Saraceno Silk Pendant is inspired by the Saraceno Shield from Medieval times. The delicate silk is complemented by striking details including Murano beads with a brass structure finish and a dark brown canopy in a stylistic Turkish -Venetian motif. Patterns available in Classic or Serpentine in Gold, Salmon, Sage Grey, Ivory or Light Blue, or Plain in Ivory in three sizes. Made in Italy. Classic pattern features a small red line in pattern. Note: Overall height is not adjustable and must be specified to order. Small Minimum / Maximum height: 33 / 62.63 in. Medium Minimum / Maximum height: 35.63 / 63.13 in. Large Minimum / Maximum height: 37.63 / 64.38 in.



Shown in: Brass / Ivory Classico

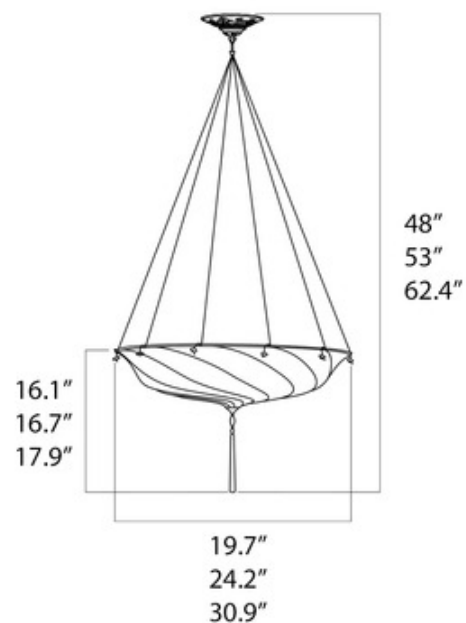
SHADE COLOR	Ivory Classico
BODY FINISH	Brass
WATTAGE	75W
DIMMER	Standard 120V
DIMENSIONS	24.25"W x 16.88"H
BULB NOT INCLUDED	
LAMP	1 x A19/Medium (E26)/75W/120V Incandescent 1 x A19/Medium (E26)/120V LED

Technical Information

PRODUCT DIMENSIONS Standard / Min / Max Overall Height: Standard 53" / Min 35 5/8" / Max 63 1/8"

SPEC #

VEN2407



COMPANY

PROJECT

FIXTURE TYPE

APPROVED BY

DATE