

CTL8116 Long Gimbal Track Fixture 12V



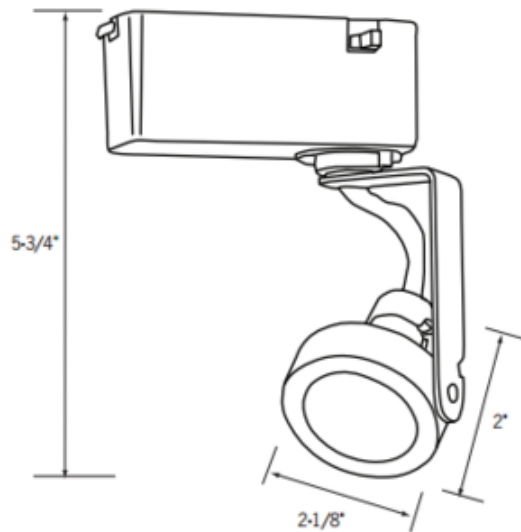
**Description:**

CTL8116 Long Gimbal Track Fixture features a sure-set yoke design providing accurate aiming and holds fixture in position without unsightly knobs. Finish in White, Black or Silver. One 12 volt GU5.3 MR16 lamp up to 75 watts is required, but not included. Includes a clear, tempered safety glass for use with open MR16 lamps. Will accept two LF16 lenses. cULus Listed. 2.1 inch diameter x 2 inch height x 5.75 inch length with transformer. Requires low voltage track mount transformer LA2050N or LA2075N, or LA1816 monopoint canopy for monopoint use, sold separately. If using LED MR16 lamp, use low voltage track mount transformer LA2050NL. For use with ConTech 1-circuit and 2-circuit 120 volt line voltage track systems.

Shown in: White

**List Price:** \$45.00  
**Our Price:** \$27.00

**Shade Color:** N/A  
**Body Finish:** White  
**Lamp:** 1 x MR16/GU5.3 (bipin)/75W/12V Halogen  
**Wattage:** 75W  
**Dimmer:** Dimmable  
**Dimensions:** 5.75"L x 2"H x 2.1"W



Product Number: <b>CNT24249</b>			
Company:		Fixture Type:	Date: Feb 17, 2018
Project:		Approved By:	

#0313TR-CTL8116-003H1-OOWH

Fax: (773) 883-6131

Phone: 866-954-4489

Address: 1718 W. Fullerton Ave. Chicago IL 60614

www.lightology.com