

1-Circuit Track LA-12 L Connector



Description:

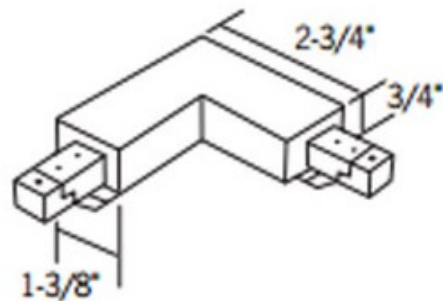
3-way L connector (right or left) for single circuit track can be used as a standard or reverse polarity L connector. May be also used a power feedpoint. Finish in White, Black or Silver. An optional straight cover is included. 2.75 inch width x 2.75 inch length x 0.75 inch height x 1.4 inch depth.



Shown in: White

List Price: \$35.00
 Our Price: \$21.00

Shade Color: N/A
 Body Finish: White
 Lamp: N/A
 Wattage: N/A
 Dimmer: N/A
 Dimensions: 0.75"H x 2.75"W x 1.4"D



Product Number: CNT24315			
Company:		Fixture Type:	Date: Feb 19, 2018
Project:		Approved By:	

#0313TR-LA12-004XX-XXWH

Fax: (773) 883-6131

Phone: 866-954-4489

Address: 1718 W. Fullerton Ave. Chicago IL 60614

www.lightology.com