

RL530 5 Inch New Construction IC StopAire Housing



Description:

RL530-ICSA 5 Inch New Construction IC StopAire housing is designed for insulated new construction installations. IC designation allows for direct contact with insulation. Thermally protected to prevent over heating. Conforms to Washington State Energy Code for low air infiltration. One 120 volt, PAR30, BR30, PAR20, R20 or A-type medium base halogen bulb or LED equivalent is required, but not included. Lamp type and wattage dependent on housing/trim combination (see attached manufacturer specification). Halogen and incandescent dimmable with a standard incandescent dimmer. Consult bulb manufacturer for dimmer compatibility when using LED equivalent bulb option. cULus listed. Suitable for damp locations. 8 inch width x 11.5 inch length x 7 inch height. A complete fixture includes a housing and trim, sold separately.



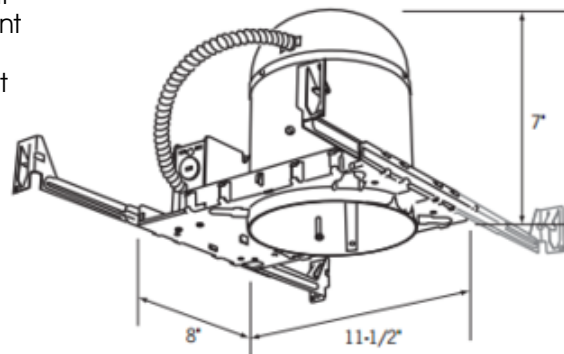
Shown in: Aluminum

List Price: \$45.00
 Our Price: \$27.00

- Shade Color: N/A
- Body Finish: Aluminum
- Lamp:
 - 1 x PAR30/Medium (E26)/75W/120V Halogen
 - 1 x A19/Medium (E26)/75W/120V Incandescent
 - 1 x BR30/Medium (E26)/65W/120V Incandescent
 - 1 x PAR20/Medium (E26)/50W/120V Halogen
 - 1 x R20/Medium (E26)/50W/120V Incandescent
 - 1 x A19/Medium (E26)/120V LED
 - 1 x BR30/Medium (E26)/120V LED
 - 1 x PAR20/Medium (E26)/120V LED
 - 1 x PAR30L/Medium (E26)/120V LED

Technical Information

- Ceiling Type: Drywall with trim
- Housing Type: New construction IC Airtight
- Wattage: 75W
- Housing Height: Dimmable
- Aperture Size: 0.000
- Dimensions: 11.5" L x 7"H x 8"W



Ceiling Opening: 5-3/4"

Product Number: CNT24459			
Company:		Fixture Type:	Date: Feb 24, 2018
Project:		Approved By:	

Fax: (773) 883-6131

Phone: 866-954-4489

Address: 1718 W. Fullerton Ave. Chicago IL 60614

www.Lightology.com