



DESIGNER Mariano Fortuny
BRAND Venetian Designs

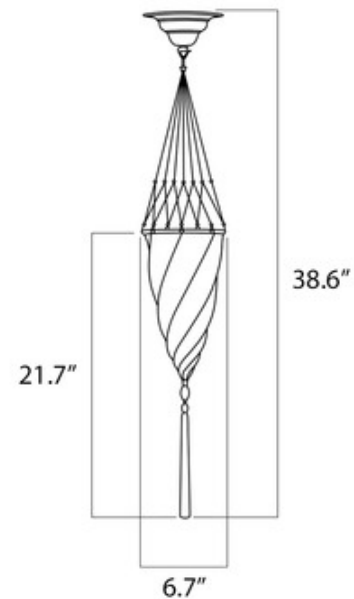
DESCRIPTION

The Cesendello Silk Suspension features an Ivory Classic or Ivory Plain pure silk shade with a Brass finish and Dark Brown canopy. Made in Italy. Note: Overall height is not adjustable and must be specified to order. Minimum / Maximum height: 37.38 / 45.25 in.



Shown in: Brass / Ivory Classic Silk

SHADE COLOR	Ivory Classic Silk
BODY FINISH	Brass
WATTAGE	25W
DIMMER	Standard 120V
DIMENSIONS	6.75"W x 21.5"H x 38.625"D
BULB NOT INCLUDED	
LAMP	1 x B10/Candelabra (E12)/25W/120V Incandescent 1 x B10/Candelabra (E12)/120V LED
SPEC #	VEN2504



COMPANY	PROJECT	FIXTURE TYPE	APPROVED BY	DATE