



BRAND

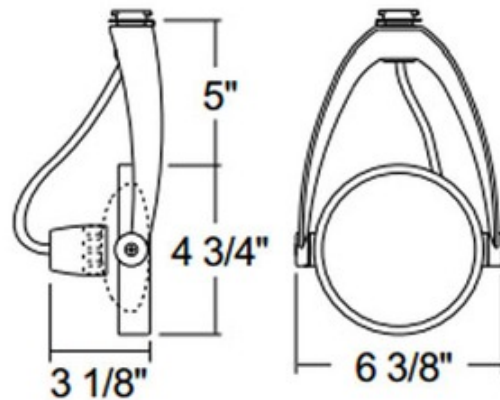
Juno Lighting

DESCRIPTION

Trac-Master Avant Garde Wishbone PAR36 low voltage lamp holder features a sleek sculptured look and style that is unparalleled in the industry. The elegance is carried through the entire design for a fresh, contemporary appeal. Features molded polycarbonate yoke with die-formed steel ring body. Greater than 360 degree horizontal rotation eliminates aiming dead spots. Features 90 degree aiming capability. Vertical aiming locking screws secure lampholder position during relamping cycles. Compatible with Trac-Master and Trac-Master 2-Circuit systems. Finish available in White, Black, or Silver. Silver finish features Black adjusting buttons. One 35-50 12 volt PAR36 lamp, snap on terminal cover with contacts, not included. Requires T537 or T538 12 volt solid state electronic transformer, sold separately. 6.3 inch diameter x 9.75 inches high. UL listed.



SHADE COLOR	N/A
BODY FINISH	White
WATTAGE	50W
DIMMER	Low Voltage Electronic
DIMENSIONS	6.3"W x 9.75"H
BULB NOT INCLUDED	
LAMP	1 x PAR36/Medium (E26)/50W/12V Halogen



SPEC # JUN26200

COMPANY	PROJECT	FIXTURE TYPE	APPROVED BY	DATE