

# TC46 6 Inch PAR36 Low Voltage Non-IC Housing



**Description:**

TC46 6 Inch PAR36 Low Voltage Non-IC Housing is designed for use in non-insulated areas. If installed where insulation is present, the insulation must be pulled back 3 inches from all sides of the housing. Leads supplied with spade connectors for screw terminal PAR36 lamps. 120V to 12V 50VA thermally protected magnetic transformer mounted to junction box. May be dimmed using dimmers specifically designed for low voltage magnetic transformers (consult factory or dimmer manufacturer for additional information). UL listed for through-branch wiring, damp locations and IP. Product thermally protected against improper use of insulation. One 50 watt, 12 volt PAR36 screw terminal base lamp is required, but not included. Halogen bulb option dimmable with a low voltage magnetic dimmer, sold separately. Consult bulb manufacturer for dimmer compatibility when using LED bulb option. UL listed. A complete fixture includes a housing and trim, sold separately.



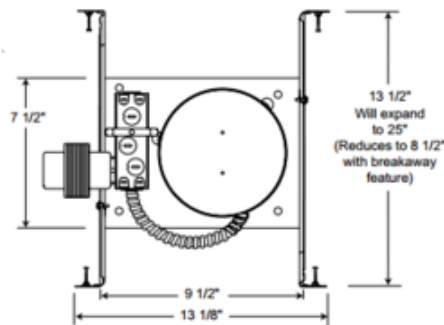
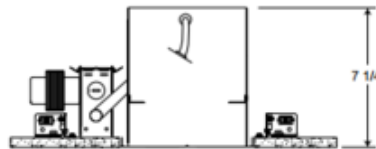
Shown in: White

List Price: \$181.16  
 Our Price: \$108.70

Shade Color: N/A  
 Body Finish: White  
 Lamp: 1 x PAR36/SCRTEM/50W/12V Halogen  
           1 x PAR36/SCRTEM/12V LED  
 Wattage: 50W  
 Dimmer: Low Voltage Magnetic  
 Dimensions: 9.5"L x 7.25"H x 7.75"W

**Technical Information**

Ceiling Type: Drywall with Trim  
 Housing Type: New Construction NON IC  
 Housing Height: 8"  
 Aperture Shape: Round  
 Aperture Size: 0.000"  
 Product Dimensions: 6.88 inch ceiling cutout



6 7/8" CEILING CUTOUT

Product Number: <b>JUN26390</b>			
Company:		Fixture Type:	Date: Feb 20, 2018
Project:		Approved By:	

#1000RS-TC46-006H1-00TC

Fax: (773) 883-6131

Phone: 866-954-4489

Address: 1718 W. Fullerton Ave. Chicago IL 60614

www.Lightology.com