

# TC928R 6 Inch Slope Ceiling Non-IC Remodel Housing



Shown in: White

List Price: \$74.45  
 Our Price: \$44.67

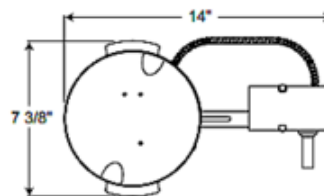
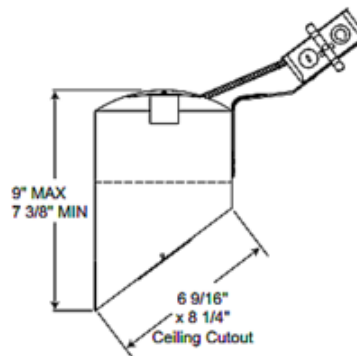
- Shade Color: N/A
- Body Finish: White
- Lamp:
  - 1 x PAR38/Medium (E26)/150W/120V Halogen
  - 1 x PAR38/Medium (E26)/120V LED
  - 1 x A19/Medium (E26)/120V Incandescent
  - 1 x A19/Medium (E26)/120V Incandescent
  - 1 x A19/Medium (E26)/120V LED
  - 1 x PAR16/Medium (E26)/120V Halogen
  - 1 x PAR16/Medium (E26)/120V LED
  - 1 x PAR30S/Medium (E26)/120V Halogen
  - 1 x PAR30S/Medium (E26)/120V LED

**Technical Information:**

- Ceiling Type: Sloped
- Housing Type: Slope Non-IC
- Housing Height: 9" MAX / 7 3/8" MIN
- Aperture Size: 6 9/16" x 8 1/4"
- Wattage: 150W

**Description:**

TC928R 6 Inch Slope Ceiling Non-IC Remodel Housing for use in slope ceiling applications with a 7/12 to 12/12 pitch (30 to 45 degrees) where the back side of ceiling is not accessible. Installs through an opening in ceiling from below. Adjustable fixture height between 7 3/8 inch minimum to 9 inch maximum. For 2x8 or 2x10 construction. Secures in place with factory supplied remodel clips. Designed for use in non-insulated areas. If installed where insulation is present, the insulation must be pulled back 3 inches from all sides of the housing. Adjustable to position lamp perpendicular to floor. One 120 volt, PAR38, PAR30, BR30, PAR16 or A19 medium base halogen/incandescent or LED equivalent lamp is required, but not included. Halogen and incandescent lamps dimmable using a standard incandescent dimmer. Consult lamp manufacturer for dimmer compatibility when using an LED equivalent lamp. Lamp type and wattage dependent upon housing/trim combination (see attached Juno manufacturer specification). UL listed for through-branch wiring, damp locations and IP. Wet location approved for covered ceiling applications. 14 inch length x 7.4 inch width x 9 inch height. A complete fixture includes a housing and trim, sold separately.



Product Number: <b>JUN26400</b>			
Company:		Fixture Type:	Date: Feb 20, 2018
Project:		Approved By:	

#1000RS-TC928R-00711-00TC

Fax: (773) 883-6131

Phone: 866-954-4489

Address: 1718 W. Fullerton Ave. Chicago IL 60614

www.Lightology.com