



BRAND

Venetian Designs

DESCRIPTION

The Scudo Saraceno Silk Pendant is inspired by the Saraceno Shield from Medieval times. The delicate silk is complemented by striking details including Murano beads with a brass structure finish and a dark brown canopy in a stylistic Turkish -Venetian motif. Patterns available in Classic or Serpentine in Gold, Salmon, Sage Grey, Ivory or Light Blue, or Plain in Ivory in three sizes. Made in Italy. Classic pattern features a small red line in pattern. Note: Overall height is not adjustable and must be specified to order. Small Minimum / Maximum height: 33 / 62.63 in. Medium Minimum / Maximum height: 35.63 / 63.13 in. Large Minimum / Maximum height: 37.63 / 64.38 in.



Shown in: Brass / Salmon Serpentine

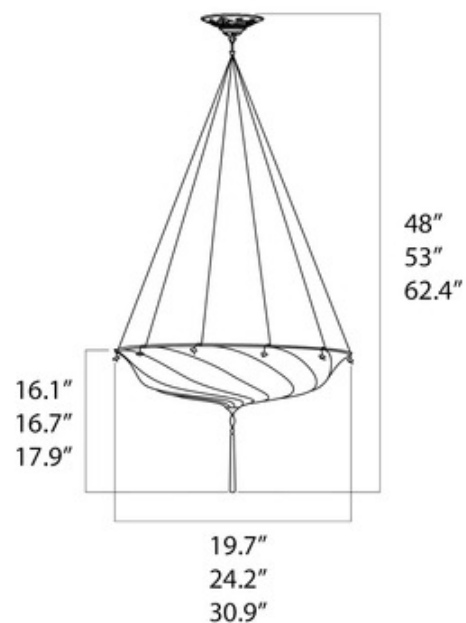
SHADE COLOR	Salmon Serpentine
BODY FINISH	Brass
WATTAGE	60W
DIMMER	Standard 120V
DIMENSIONS	19.75"W x 16.14"H
BULB NOT INCLUDED	
LAMP	1 x A19/Medium (E26)/60W/120V Incandescent 1 x A19/Medium (E26)/120V LED

Technical Information

PRODUCT DIMENSIONS Standard / Min / Max Overall Height: Standard 48" / Min 33" / Max 62 5/8"

SPEC #

VEN279



COMPANY

PROJECT

FIXTURE TYPE

APPROVED BY

DATE