

# Lightology

lightology.com  
866-954-4489  
05-24-26

Project: \_\_\_\_\_

Company: \_\_\_\_\_

Location: \_\_\_\_\_ Fixture Type: \_\_\_\_\_

SPEC #: **EDG355867**

Approved On: \_\_\_\_\_ Approved By: \_\_\_\_\_

## Aurora 3.3IN SQ Trimless Downlight / Housing - Discontinued

By PureEdge Lighting



### Description

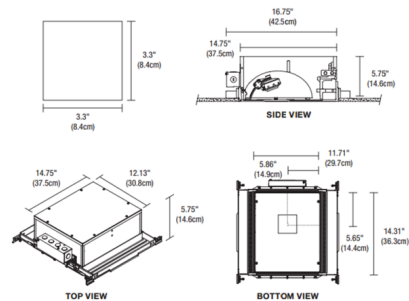
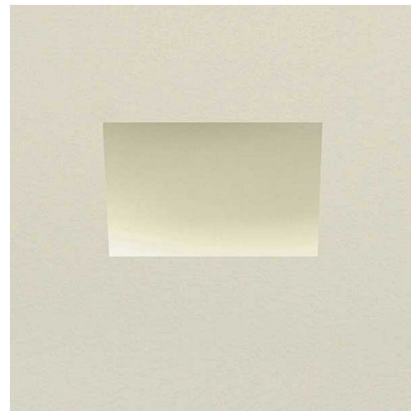
Aurora LED 3.3 Inch Aperture Square Edge Trimless Downlight with Housing is a specification grade, recessed adjustable accent fixture for plaster or drywall construction. Housing is IC and air-tight, suitable for remodel or new construction. Use only LED retrofit bulbs designed for use in enclosed fixtures, compatible bulbs sold separately. Fixture offers hot aiming with a #2 Philips screwdriver with 0 to 45 degree vertical adjustment and 362 degree horizontal rotation without beam clipping. The .04 inch thick die-formed aluminum housing includes a 12 volt, 15 watt electronic low voltage transformer for MR16 LED bulbs. Snoot which secures the bulb to the Pan Tilt Mechanism for easy relamping. Included components: Dome, Housing, Plaster Plate, Transformer, Aurora Gear Cover, Mounting Hardware, Junction Box, Pan Tilt Mechanism, and Snoot. Dimmable with an electronic low voltage dimmer, sold separately. Note: This model is discontinued and limited to quantity on hand.

### Specifications

REFLECTOR/BAFFLE COLOR	N/A
BODY FINISH	White / Haze Dome
WATTAGE	10W
DIMMER	Low Voltage Electronic
DIMENSIONS	14.75"L x 12.1"W x 5.75"H
BULB NOT INCLUDED	1 x LED/10W/12V LED

### Technical Information

APERTURE SIZE	3.300"
APERTURE SHAPE	Square
HOUSING HEIGHT	6"
HOUSING TYPE	New construction IC Airtight
CEILING TYPE	Drywall Trimless/Flush
FUNCTION	Adjustable Accent



Notes: