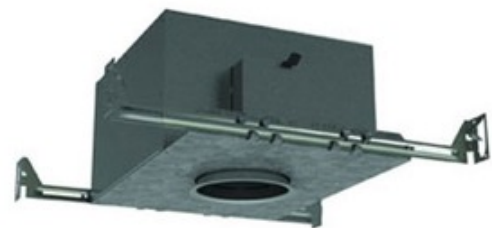




**BRAND** Contrast Lighting

**DESCRIPTION**

ISMR7000M35 4.25 Inch Low Voltage IC New Construction Housing is designed for insulated new construction applications. IC designation allows for direct contact with insulation. Below ceiling accessible. Takes up to a 7/8 inch ceiling thickness. Low voltage 12 volt magnetic transformer included. One 35 watt, 12 volt GU5.3 MR16 bulb is required, but not included. Dimmable with a low voltage magnetic dimmer. Consult bulb manufacturer for low voltage magnetic dimmer compatibility when using LED bulb option. Suitable for damp locations. UL listed. 4 5/16 inch ceiling cut out. 19.5 inch length x 10 inch width x 7.1 inch height. A complete fixture includes a housing and trim, sold separately.

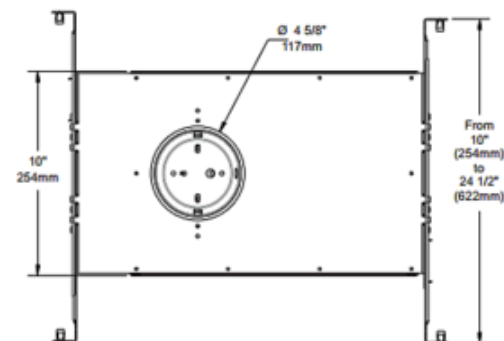
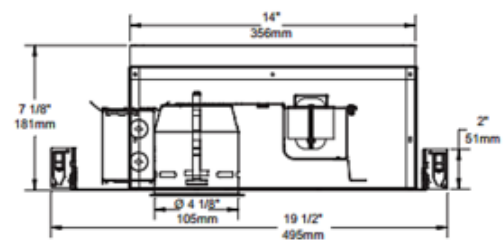


<b>TRIM COLOR</b>	N/A
<b>BODY FINISH</b>	Galvanized Steel
<b>WATTAGE</b>	35W
<b>DIMMER</b>	Low Voltage Magnetic
<b>DIMENSIONS</b>	19.5"L x 10"W x 7.1"H
<b>BULB NOT INCLUDED</b>	
<b>LAMP</b>	1 x MR16/GU5.3 (bipin)/35W/12V Halogen MR16/GU5.3 (bipin)/12V LED

*Technical Information*

<b>CEILING TYPE</b>	Drywall with Trim
<b>HOUSING TYPE</b>	New construction IC
<b>HOUSING HEIGHT</b>	7"
<b>APERTURE SIZE</b>	4.250"

**SPEC #** CLT3798



COMPANY	PROJECT	FIXTURE TYPE	APPROVED BY	DATE