

Floor Lite 6 Inch Mounting Canister



Description:

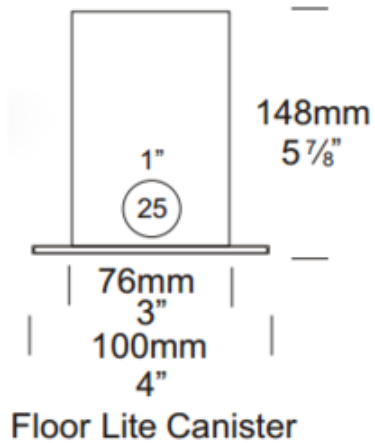
The Floor/Path Lite Mounting Canister in Aluminum provides an efficient and professional method of luminaire mounting into new concrete. The mounting canister is installed during the rough in stage of construction, avoiding damage to the luminaire itself. The canister holds the luminaire in place by means of two high temperature, heavy duty gaskets and allows installation with no visible screws on the front trim. UL1838. cCSAus listed. 4 inch diameter flange x 3 inch diameter x 5.9 inch length canister.



Shown in: Aluminum

List Price: \$136.69
 Our Price: \$95.68

Shade Color: N/A
 Body Finish: Aluminum
 Lamp: N/A
 Wattage: N/A
 Dimmer: N/A
 Dimensions: 5.9"L x 4"W



| | | | |
|---------------------------------|--|---------------|--------------------|
| Product Number: HUZ38341 | | | |
| Company: | | Fixture Type: | Date: Feb 23, 2018 |
| Project: | | Approved By: | |

#0812PA-FLCAN-004XX-00AL

Fax: (773) 883-6131

Phone: 866-954-4489

Address: 1718 W. Fullerton Ave. Chicago IL 60614

www.Lightology.com