



BRAND

Hunza Lighting

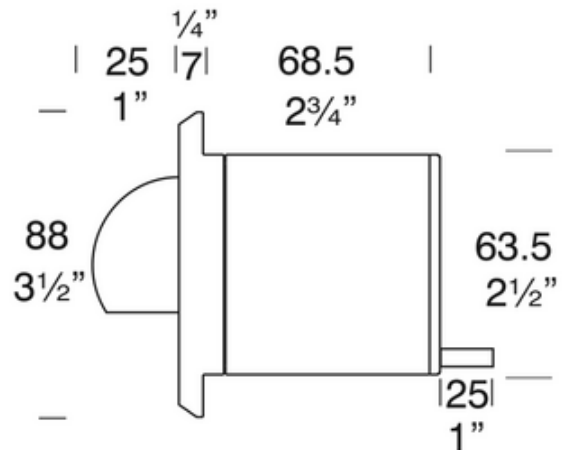
DESCRIPTION

The Step Lite Square Eyelid Halogen Step Light features a smooth machined finish without mounting holes with an eyelid that masks two thirds of the lamp to eliminate upward light. Available in 316 Stainless Steel, solid Copper, or powder coat Black or Bronze finish with a flush fit shatter resistant glass lens. IP67 rated for wet locations. Required transformer, mounting canister and optional accessories sold separately. Dimmer type dependent on type of transformer/ power supply selected (low voltage electronic or low voltage magnetic).



Shown in: Stainless Steel

SHADE COLOR	N/A
BODY FINISH	Stainless Steel
WATTAGE	20W
DIMMER	Dimmable
DIMENSIONS	3.5"W x 3.5"H x 4"D
BULB NOT INCLUDED	
LAMP	1 x MR16/GU5.3 (bipin)/20W/12V Halogen



SPEC #

HUZ38397

COMPANY

PROJECT

FIXTURE TYPE

APPROVED BY

DATE