

Monorail Adjustable Dual Center Feed Canopy



Description:

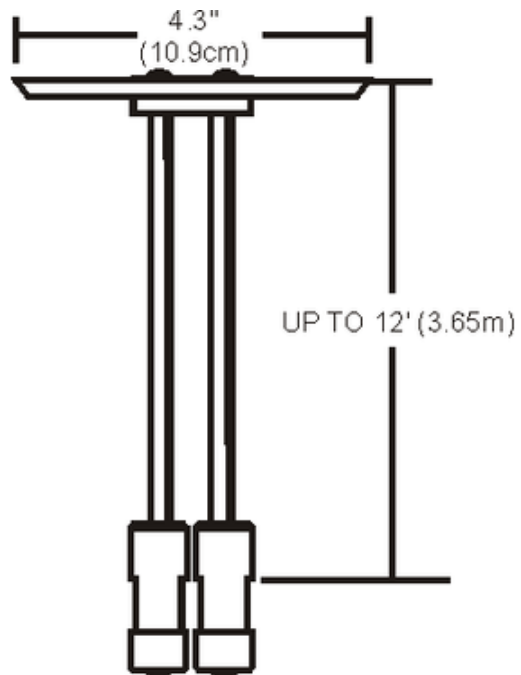
Monorail 4 inch round adjustable dual center feed power feed canopy mounts on standard 4 inch electrical box with plastic ring or octagon electrical box (not included). Adjustable 12 foot cable powers the rail when an electrical box cannot be located directly above the system. Use with corresponding remote transformer. Finish available in satin nickel, polished nickel, or antique bronze. Field cuttable. ETL listed.



Shown in: Satin Nickel

List Price: \$130.84
 Our Price: \$78.51

Shade Color: N/A
 Body Finish: Satin Nickel
 Lamp: N/A
 Wattage: N/A
 Dimmer: N/A
 Dimensions: 144"L x 4.3"W



Product Number: EDG47945			
Company:		Fixture Type:	Date: Feb 17, 2018
Project:		Approved By:	

#1200MO-4RDADJD-144H1-00SN

Fax: (773) 883-6131

Phone: 866-954-4489

Address: 1718 W. Fullerton Ave. Chicago IL 60614

www.lightology.com