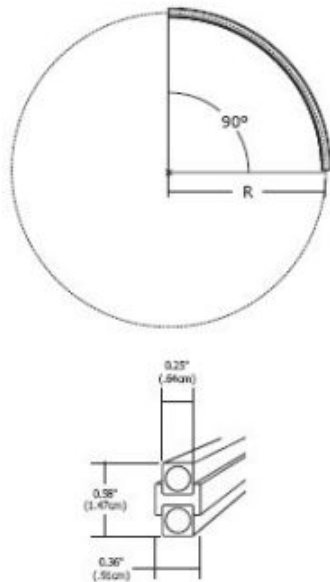


# Monorail Pre-Bent Rail 90 Degree Curve



**Description:**

Monorail Pre-Bent 90 Degree Curve in 12, 24, 36, 48, or 60 inch radius options offer versatility for numerous applications. Rated for maximum of 25 amps (300 watts at 12 volts, 600 watts at 24 volts). A pair of conductive connectors is included with each piece to connect other Monorail sections. Finish available in satin nickel, polished nickel or antique bronze finish with clear insulator. ETL listed.

Shown in: Antique Bronze

List Price: \$116.00  
 Our Price: \$92.80

Shade Color: N/A  
 Body Finish: Antique Bronze  
 Lamp: N/A  
 Wattage: N/A  
 Dimmer: N/A  
 Dimensions: 12"L

Fax: (773) 883-6131

Phone: 866-954-4489

Address: 1718 W. Fullerton Ave. Chicago IL 60614

www.Lightology.com

|                                 |  |               |                    |
|---------------------------------|--|---------------|--------------------|
| Product Number: <b>EDG47952</b> |  |               |                    |
| Company:                        |  | Fixture Type: | Date: Feb 21, 2018 |
| Project:                        |  | Approved By:  |                    |