

# Monorail 4 Inch Round Dual Feed Canopy



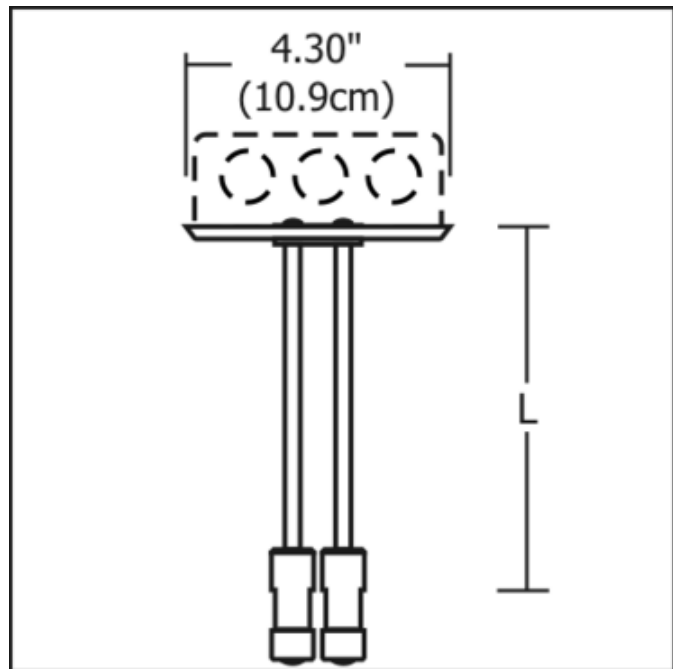
**Description:**

Monorail 4 inch square dual feed canopy mounts on the ceiling above the monorail run. It is mounted to a standard 4 inch electrical box with plaster ring, or octagon electrical box, where the low voltage leads from the remote dual feed transformer (sold separately) are connected. Available in 1, 6, 12, 24, 36, 48, and 96 inch lengths. Use with corresponding rigid standoff's and the T-600-D12 remote transformer. Finish available in satin nickel, polished nickel, or antique bronze. Field cuttable. ETL listed.

Shown in: Satin Nickel

List Price: \$481.00  
 Our Price: \$384.80

Shade Color: N/A  
 Body Finish: Satin Nickel  
 Lamp: N/A  
 Wattage: N/A  
 Dimmer: N/A  
 Dimensions: 96"H x 4.3"W



Product Number: <b>EDG48114</b>			
Company:		Fixture Type:	Date: Feb 20, 2018
Project:		Approved By:	

#1200MO-MPD4RD-096XX-OOSN

Fax: (773) 883-6131

Phone: 866-954-4489

Address: 1718 W. Fullerton Ave. Chicago IL 60614

www.Lightology.com