



BRAND

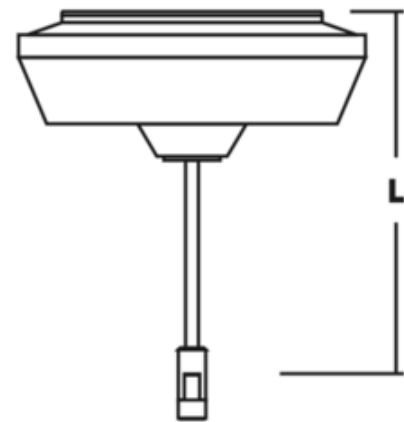
PureEdge Lighting

DESCRIPTION

Monorail single feed, 150 watt, 12 volt, extended surface mount magnetic transformer converts 120 volt input to low-voltage 12 volt output. The decorative surface mount transformer mounts to a standard 4 inch square electrical box with round plaster ring or octagon electrical box (not included). Available in a 6 inch length. Use with corresponding length standoffs. Maximum 150 watt load. LED compatible with 12 volt AC LEDs.



SHADE COLOR	N/A
BODY FINISH	Satin Nickel
WATTAGE	150W
DIMMER	Low Voltage Magnetic
DIMENSIONS	96"L x 7.47"W x 2.36"H
LAMP	N/A



Dimensions:

- P6** 6"
- P12** 12"
- P24** 24"
- P36** 36"
- P48** 48"
- P96** 96"

SPEC # EDG48135

COMPANY	PROJECT	FIXTURE TYPE	APPROVED BY	DATE