

Monorail 300W 24V Extended Surface Mount Transformer



Designer: Gregory Kay

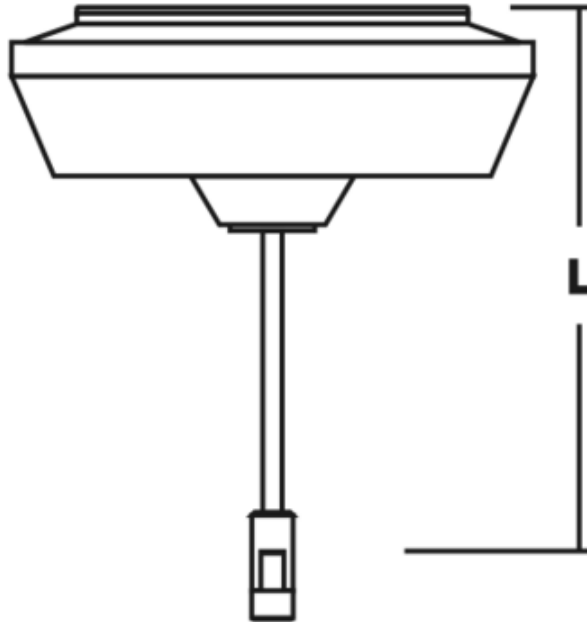
Description:

Monorail single feed, 300 watt, 24 volt, extended surface mount magnetic transformer converts 120 volt input to low-voltage 24 volt output. The decorative surface mount transformer mounts to a standard 4 inch square electrical box with round plaster ring or octagon electrical box (not included). Available in 6, 12, 24, 36, 48 and 96 inch heights. Use with corresponding standoff's. Maximum 300 watt load. Finish available in satin nickel, polished nickel, or antique bronze. ETL listed.

Shown in: Polished Nickel

List Price: \$698.00
Our Price: \$558.40

Shade Color: N/A
Body Finish: Polished Nickel
Lamp: N/A
Wattage: N/A
Dimmer: Low Voltage Magnetic
Dimensions: 12"H



Product Number: EDG48176			
Company:		Fixture Type:	Date: Feb 22, 2018
Project:		Approved By:	

#1200MO-MT300P-24V12-OOPN

Phone: 866-954-4489 Fax: (773) 883-6131

Address: 1718 W. Fullerton Ave. Chicago IL 60614

www.Lightology.com