

BRAND

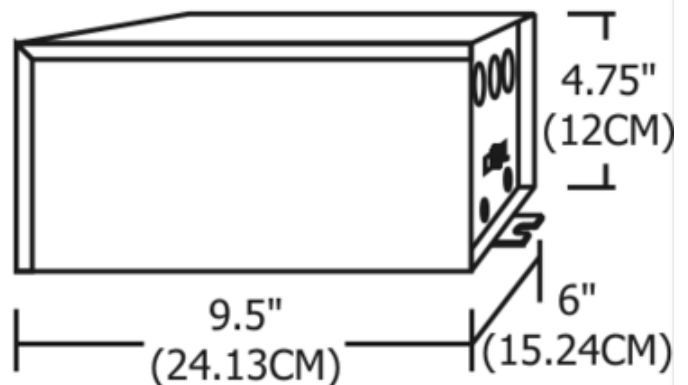
PureEdge Lighting

DESCRIPTION

600 watt remote magnetic transformer converts 277 volt input to low voltage 24 volt output for powering Monorail system. To prevent voltage drop it is best to keep the transformer within 20 feet of the power canopy/junction box. 24 volt lamp must be used. A 1000 watt magnetic low-voltage dimmer must be used when dimming is desired, sold separately. The dimmer is powered on the line voltage side of the transformer. Some buzzing may occur on low levels and may be reduced with a dimming de-buzzing coil (TDB-600), sold separately. 6W x 4.75H x 9.5L.



SHADE COLOR	N/A
BODY FINISH	Black
WATTAGE	600W
DIMMER	Low Voltage Magnetic
DIMENSIONS	9.5"L x 6"W x 4.75"H
BULB NOT INCLUDED	
LAMP	600W Halogen



SPEC # EDG48485

COMPANY	PROJECT	FIXTURE TYPE	APPROVED BY	DATE