



BRAND PureEdge Lighting

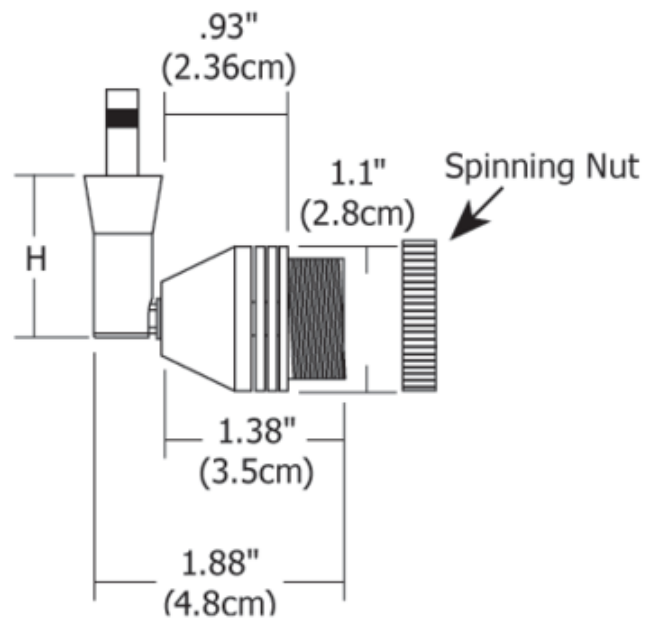
DESCRIPTION

Low Rider Spinner Fast Jack fixture head is the classic Low Rider head with a spinning nut which secures a variety of shades to the fixture. Available in a 1 inch stem length in Satin Nickel finish. Mounts to a Monorail connector, Monorail 2 Circuit connector, or Fast Jack canopy, sold separately. Taper Shade accessory available, sold separately. One 50 Watt, 12 volt, IR MR16 GU5.3 halogen lamp is required, but not included. ETL listed.



SHADE COLOR	N/A
BODY FINISH	Polished Nickel
WATTAGE	50W
DIMMER	Dimmable
DIMENSIONS	0.93"L x 1.38"W x 1.2"H
BULB NOT INCLUDED	
LAMP	1 x MR16/GU5.3 (bipin)/50W/12V Halogen 1 x MR16/GU5.3 (bipin)/12V LED

SPEC # EDG49326



COMPANY	PROJECT	FIXTURE TYPE	APPROVED BY	DATE