



**DESIGNER**

Gregory Kay

**BRAND**

PureEdge Lighting

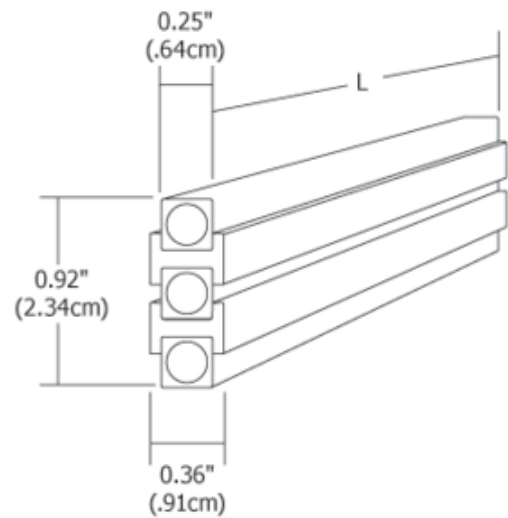
**DESCRIPTION**

Monorail 2-Circuit, Straight Rail system conductor is available in 24, 48 or 96 inch lengths and is field-cuttable and bendable by hand. Rated for maximum of 25 amps per circuit (300 watts at 12 volts, 600 watts at 24 volts). A pair of conductive connectors is included with each piece to connect to other rail pieces. Available in satin nickel, polished nickel or antique bronze finish with clear insulator. ETL listed. Limited quantities available.



<b>SHADE COLOR</b>	Clear
<b>BODY FINISH</b>	Polished Nickel
<b>WATTAGE</b>	N/A
<b>DIMMER</b>	N/A
<b>DIMENSIONS</b>	24"L x 0.36"W x 0.92"H
<b>LAMP</b>	N/A

**SPEC #** EDG50327



Monorail 2 Circuit Overall Dimensions

COMPANY	PROJECT	FIXTURE TYPE	APPROVED BY	DATE