

Monorail 2-Circuit Sloped Ceiling Single Feed Canopy



Description:

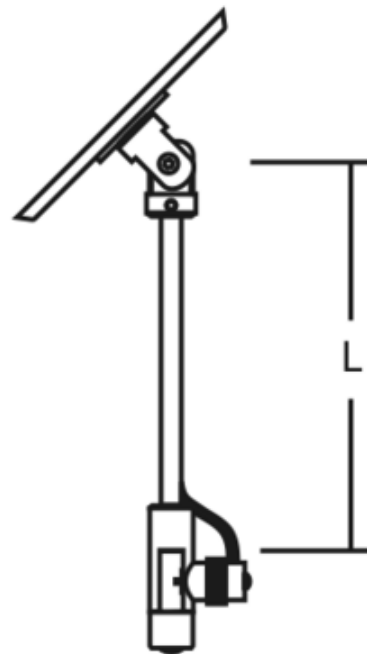
Monorail 2-circuit sloped ceiling single feed power feed canopy mounts to a standard 4 inch electrical box and powers the rail in sloped ceiling applications. Available in 2, 6, 12, 24, 36, 48, or 96 inch heights. Use with corresponding sloped ceiling standoff and T-2x300-12 remote transformer. Finish available in satin nickel, polished nickel, or antique bronze. ETL listed.



Shown in: Satin Nickel

List Price: \$348.00
Our Price: \$278.40

Shade Color: N/A
Body Finish: Satin Nickel
Lamp: N/A
Wattage: N/A
Dimmer: N/A
Dimensions: 48"H x 4.3"W



Product Number: EDG50466			
Company:		Fixture Type:	Date: Feb 19, 2018
Project:		Approved By:	

#1200M2-SGPWRFD-048XX-OOSN

Fax: (773) 883-6131

Phone: 866-954-4489

Address: 1718 W. Fullerton Ave. Chicago IL 60614

www.Lightology.com