

Monorail 2-Circuit X Conductive Connector



Description:

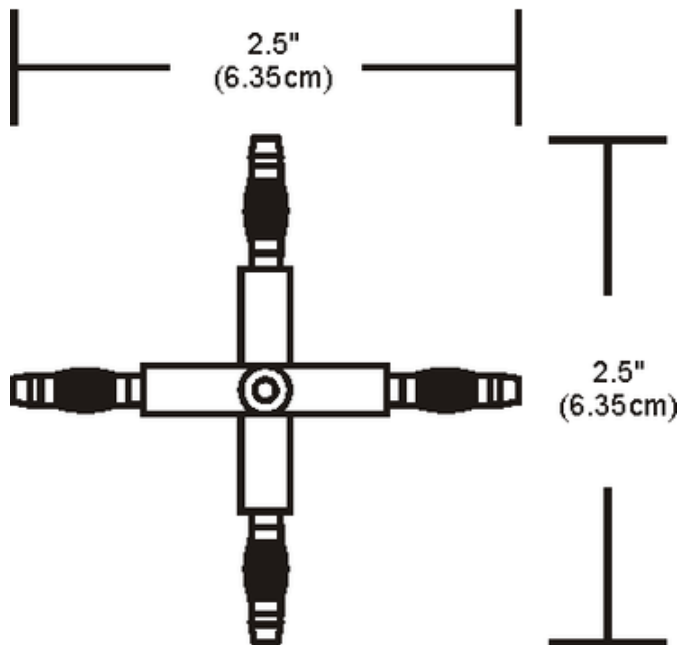
Monorail 2-circuit X conductive connectors join and electrically conduct four pieces of 2-circuit Monorail together at 90 degree angles. Finish available in satin nickel, polished nickel, or antique bronze. ETL listed.



Shown in: Satin Nickel

List Price: \$39.65
 Our Price: \$23.79

Shade Color: N/A
 Body Finish: Satin Nickel
 Lamp: N/A
 Wattage: N/A
 Dimmer: N/A
 Dimensions: 2.5"L x 2.5"W



Product Number: EDG50547			
Company:		Fixture Type:	Date: Feb 19, 2018
Project:		Approved By:	

#1200M2-XCONN-000XX-00SN

Fax: (773) 883-6131

Phone: 866-954-4489

Address: 1718 W. Fullerton Ave. Chicago IL 60614

www.lightology.com