



BRAND

PureEdge Lighting

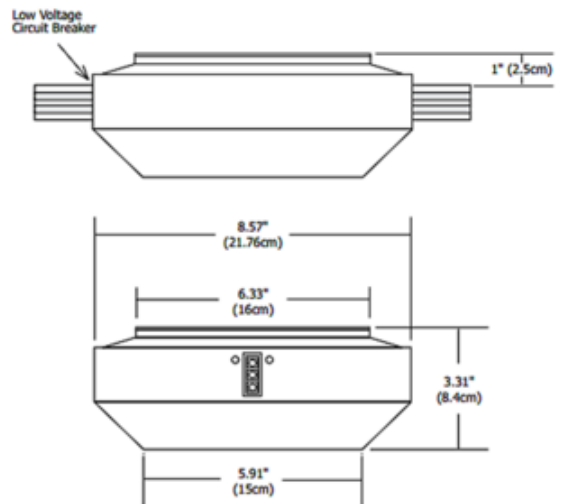
DESCRIPTION

Monorail 2-Circuit 2x150 watt, 12 volt, surface mount magnetic transformer converts two 120 volt input to two low-voltage 12 volt output. The decorative surface mount transformer mounts to a standard 4 inch square electrical box with round plaster ring or octagon electrical box (not included). Rail attaches to one or both side-feed contacts using push-in conductive connectors (included). Standard surface mount transformer powers the rail 1 inch from ceiling. Use with 1 inch standoffs. Maximum 2x150 watt loads. LED compatible with 12 volt AC LEDs. Available in Antique Bronze finish. Image shown in Satin Nickel finish.



SHADE COLOR	N/A
BODY FINISH	Satin Nickel
WATTAGE	300W
DIMMER	Low Voltage Magnetic
DIMENSIONS	8.57"W x 3.31"H
LAMP	N/A

SPEC # EDG50550



COMPANY	PROJECT	FIXTURE TYPE	APPROVED BY	DATE