



**BRAND**

Robert Abbey

**DESCRIPTION**

The Penelope Pendant features a Silver Mylar, White Ceramik Parchment, Black Ceramik Parchment, Fuchsia Ceramik Parchment, Navy Ceramik Parchment, White Ceramik Parchment, Orange Ceramik Parchment, Orange Ceramik Parchment, Red Ceramik Parchment, White Ascot, or Taupe Ceramik Parchment shade with a silver foil lining and Polished Nickel finish. UL listed.



Shown in: Polished Nickel / White Ceramik Parchment

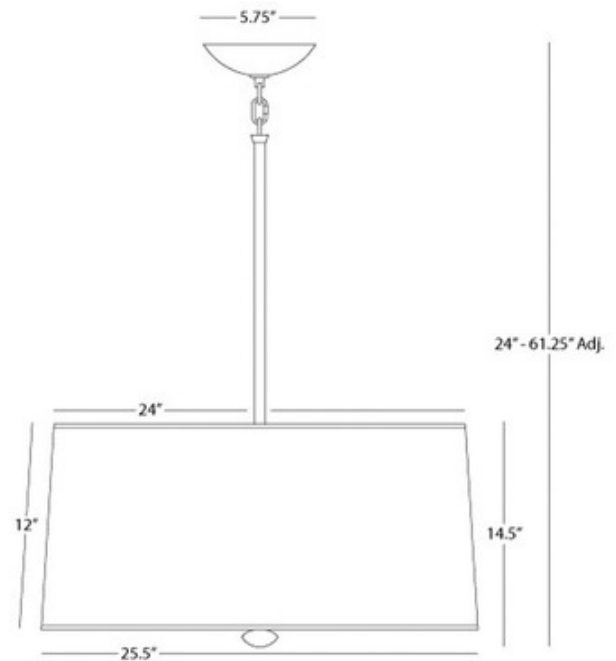
<b>SHADE COLOR</b>	White Ceramik Parchment
<b>BODY FINISH</b>	Polished Nickel
<b>WATTAGE</b>	300W
<b>DIMMER</b>	Standard 120V
<b>DIMENSIONS</b>	25.5"W x 14.5"H
<b>BULB NOT INCLUDED</b>	
<b>LAMP</b>	3 x A19/Medium (E26)/100W/120V Incandescent

*Technical Information*

<b>PRODUCT DIMENSIONS</b>	Downrods Included: 3x12" + 1x6"
---------------------------	---------------------------------

**SPEC #**

RAB50819



COMPANY

PROJECT

FIXTURE TYPE

APPROVED BY

DATE