



BRAND

WAC Lighting

DESCRIPTION

4 Inch Magnetic Non-IC Remodel Housing features an integral magnetic transformer. Housing and transformer arm are 20 gauge steel, housing is painted black. Three 0.5 inch knockouts provided for wire entry and exit. Suitable for chain wiring. Snap-out style heavy gauge retention clips firmly hold housing to ceiling. Accommodates surface thickness of up to 0.75 inch. 4.38 inch cutout hole. Magnetic transformer for 12 volt MR16 lamps, 50 watt maximum. Non-IC rated: insulation must be kept at least 3 inches away from the housing. A complete fixture consists of housing, trim and lamps, all sold separately. 11.6 inch width x 5.75 inch height x 5.8 inch length. UL listed for damp locations.

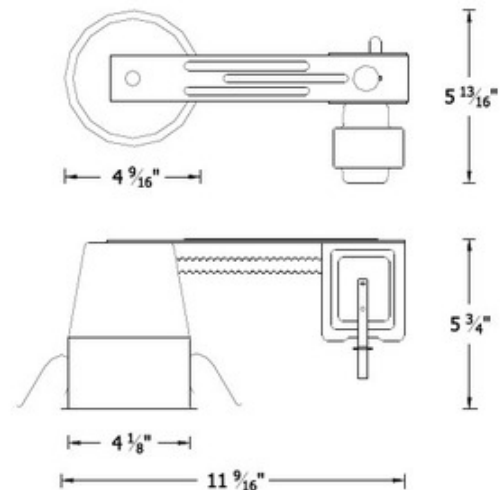


TRIM COLOR	N/A
BODY FINISH	Black
WATTAGE	50W
DIMMER	Low Voltage Magnetic
DIMENSIONS	5.81"L x 11.56"W x 5.75"H
BULB NOT INCLUDED	
LAMP	1 x MR16/GU5.3 (bipin)/50W/12V Halogen

Technical Information

FUNCTION	Downlight
HOUSING TYPE	Remodel NON IC
HOUSING HEIGHT	6"
APERTURE SHAPE	Round

SPEC # WAC55124



COMPANY	PROJECT	FIXTURE TYPE	APPROVED BY	DATE