



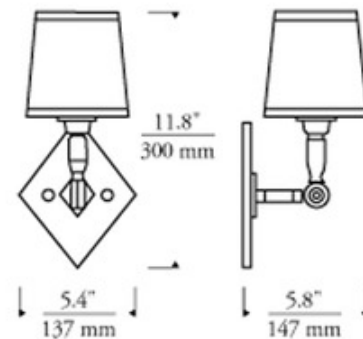
BRAND Visual Comfort Modern

DESCRIPTION

Webster wall sconce features a cast diamond shaped back plate with an elegant fabric shade and decorative metal cage. Shade available in White with Polished Nickel finish. Mount to 4 inch square electrical box with round plastic ring or an octagon electrical box. One 60 watt, 120 volt, T4, G9 bi-pin base halogen bulb included. General light distribution. ETL listed. Suitable for damp locations. 5.4 inch width x 11.8 inch height x 5.8 inch depth.



SHADE COLOR	Desert Clay
BODY FINISH	Antique Bronze
WATTAGE	60W
DIMMER	Standard 120V
DIMENSIONS	5.4"W x 11.8"H x 5.8"D
BULB INCLUDED	JCD/G9/60W/120V Halogen
LAMP	



SPEC # TLG55251

COMPANY	PROJECT	FIXTURE TYPE	APPROVED BY	DATE