



DESIGNER

Neil Poulton

BRAND

Artemide

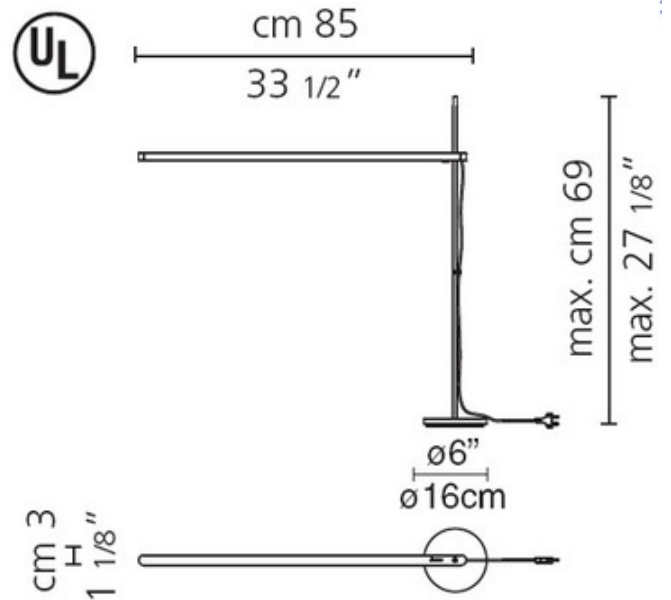
DESCRIPTION

Talak LED table lamp features a body in a matte white thermoplastic resin with a stem in chromed polished steel and base in painted iron. Body rotates 360 degree on the horizontal plane and can be adjusted in height by sliding it along its stem. LED version includes dimmer switch on body. Also available as a fluorescent version. An array of 80 LEDs at 8 watts, 120 volt included. 27 9/16 inches high x 33 9/16 inches deep with 6 7/16 inch diameter base. Direct adjustable light distribution. UL listed.



SHADE COLOR	White
BODY FINISH	Chromed Steel
WATTAGE	8W
DIMMER	Included
DIMENSIONS	33.56"W x 27.56"H
INTEGRATED LED MODULE	
LAMP	80 x LED/0.1W/120V LED

SPEC # ART57688



COMPANY	PROJECT	FIXTURE TYPE	APPROVED BY	DATE