



BRAND

Venetian Designs

DESCRIPTION

The Scudo Saraceno Glass Ring Pendant is inspired by the Saraceno Shield from Medieval times. The delicate silk is complemented by striking details with a brass structure finish, decorative ring, and a dark brown canopy in a stylistic Turkish -Venetian motif. Available in White Classic, Silver Classic, Gold Classic, Red Mosaic, or Gold Mosaic. Made in Italy. NOTE: No Gold Mosaic in smallest size. Note: Overall height is not adjustable and must be specified to order. Small Minimum / Maximum height: 30.38 / 50.75 in. Medium Minimum / Maximum height: 32 / 55.25 in. Large Minimum / Maximum height: 35.5 / 65 in.



Shown in: Brass / Gold Classic

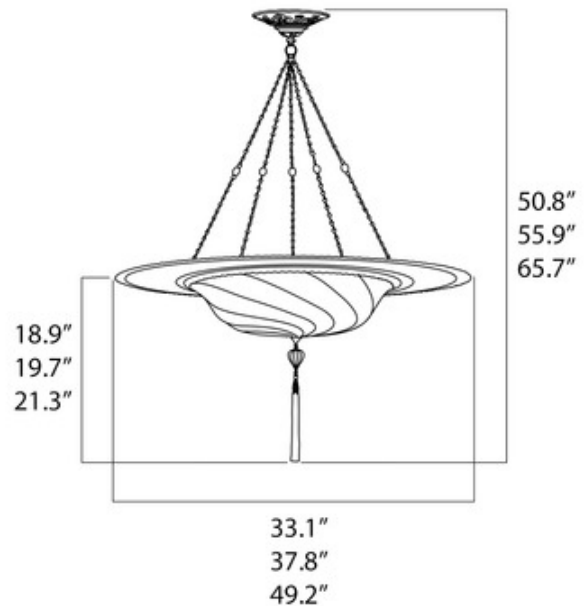
| | |
|--------------------------|--|
| SHADE COLOR | Gold Classic |
| BODY FINISH | Brass |
| WATTAGE | 100W |
| DIMMER | Standard 120V |
| DIMENSIONS | 37.75"W x 19.5"H |
| BULB NOT INCLUDED | |
| LAMP | 1 x A19/Medium (E26)/100W/120V Incandescent 1 x A19/Medium (E26)/120V LED |

Technical Information

| | |
|---------------------------|-----------------------------|
| PRODUCT DIMENSIONS | Max Overall Length: 55.925" |
|---------------------------|-----------------------------|

SPEC #

VEN578



COMPANY

PROJECT

FIXTURE TYPE

APPROVED BY

DATE
