



BRAND

Simon & Salazar

DESCRIPTION

The Banded Orb Pendant is a striking piece that draw inspiration from the rich hues and undulating topography of Southern California. Alternating layers of opaque and transparent colors are applied to clear glass. Overlapping to create new colors, which adds to the depth of the pieces. The intense color is complemented by its simple shape. Made in California and signed by Caleb and Carmen. Note: Each piece is hand blown and shaped in lead free crystal. No molds are used, and each glass shape is unique. Dimensions, weights, and color will vary slightly.

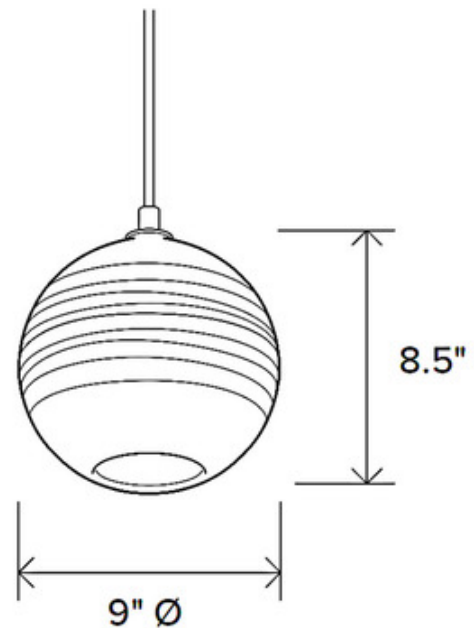


Shown in: Dark Bronze / Amber

SHADE COLOR	Amber
BODY FINISH	Dark Bronze
WATTAGE	4W
DIMMER	Standard 120V
DIMENSIONS	9"W x 8.5"H
BULB INCLUDED	
LAMP	1 x G25/Medium (E26)/4W/120V LED 1 x G25/Medium (E26)/120V LED

SPEC #

SSA58411



COMPANY

PROJECT

FIXTURE TYPE

APPROVED BY

DATE