

# SS3006 LED Steplight



**Description:**

SS3006 LED Steplight features die-cast aluminum construction available in white, bronze or satin aluminum powder coat finish. Features 2800K warm color temperature, 80CRI, 120 lumens. Rated for 50,000 hours at 70 percent lumen maintenance. Features integral 120 volt input driver. Fits standard single-switch box. Also available in a 2 x 3 inch handy box configuration, sold separately. One 2.5 watt CREE XP-E LED included. UL and cUL listed for wet locations. Wall mount only. 2.5 inch width x 4.75 inch height x 0.6 inch depth.

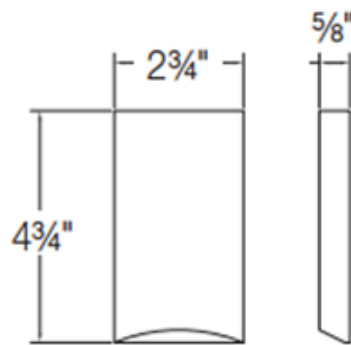
Shown in: Bronze

List Price: \$137.50  
 Our Price: \$110.00

Shade Color: N/A  
 Body Finish: Bronze  
 Lamp: 1 x LED/2.5W/120V LED  
 Wattage: 2.5W  
 Dimmer: Not Dimmable  
 Dimensions: 4.75"H x 2.5"W x 0.6"D

**Technical Information**

Luminous Flux: 120 lumens  
 Lumens/Watt: 48.00  
 Lamp Color: 2850 K  
 Color Rendering: 80 CRI  
 Lamp Life: 50000 hours



Product Number: <b>CSL60193</b>			
Company:		Fixture Type:	Date: Feb 24, 2018
Project:		Approved By:	

#0308ES-SS3006-003L1-OOBZ

Phone: 866-954-4489 Fax: (773) 883-6131

Address: 1718 W. Fullerton Ave. Chicago IL 60614

www.Lightology.com