



DESIGNER

Neil Poulton

BRAND

Artemide

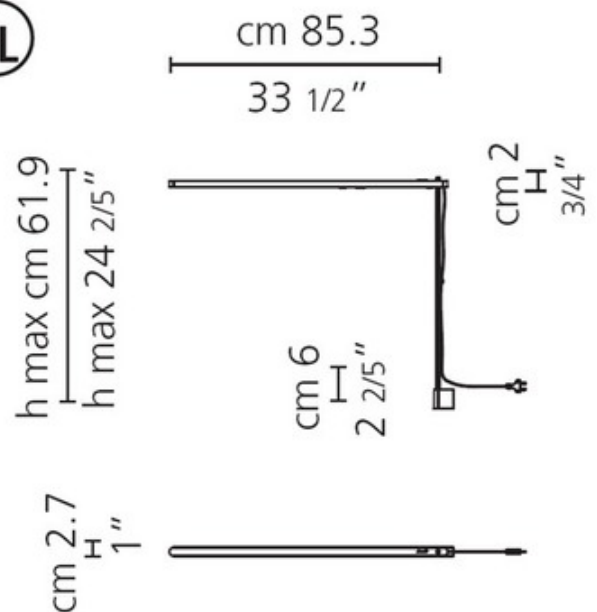
DESCRIPTION

The Talak Fluorescent Wall Mount with cord and plug features a wall support in die-cast aluminum, a stem in chromed polished steel and body in painted white thermoplastic resin. The lamp rotates at 360 degrees on the horizontal plane and is adjustable in height. Also available in an LED version. Includes one 13 watt T2 fluorescent lamp. 24 3/8 inches high x 33.50 inches deep. Direct adjustable light distribution. UL listed.



SHADE COLOR	White
BODY FINISH	Chromed Steel
WATTAGE	13W
DIMMER	Not Dimmable
DIMENSIONS	33.56"W x 27.56"H
BULB INCLUDED	
LAMP	1 x T2/Axial/13W/120V Fluorescent

SPEC # ART62024



COMPANY	PROJECT	FIXTURE TYPE	APPROVED BY	DATE