



DESIGNER

Neil Poulton

BRAND

Artemide

DESCRIPTION

The Talak Wall Mount with cord and plug features a wall support in die-cast aluminum, a stem in chromed polished steel and body in painted white thermoplastic resin. The lamp rotates at 360 degrees on the horizontal plane and is adjustable in height. Integrated 8 watt 120 volt LED light source. 24.38 inch height x 33.5 inch depth. Direct adjustable light distribution. UL listed.

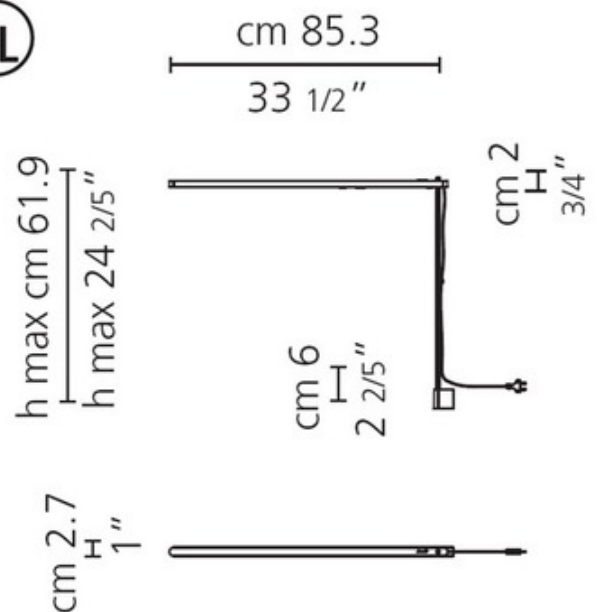


SHADE COLOR	White
BODY FINISH	Chromed Steel
WATTAGE	8W
DIMMER	Dimmable
DIMENSIONS	33.56"W x 24.38"H
INTEGRATED LED MODULE	
LAMP	1 x LED/8W/120V LED

Technical Information

LAMP COLOR	3000K
COLOR RENDERING	80 CRI

SPEC # ART62025



COMPANY	PROJECT	FIXTURE TYPE	APPROVED BY	DATE