



BRAND Visual Comfort Modern

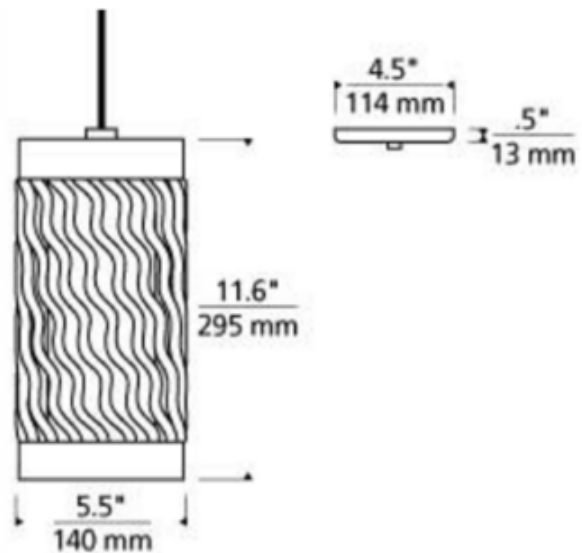
DESCRIPTION

Liza Grande Pendant features a classically modern Clear or Smoke, flame-worked borosilicate glass, commercially known as Pyrex, formed into a dramatic cylinder with a flowing diagonal pattern of open glass with inner white glass diffuser. Finish available in Black, Satin Nickel, White or Antique Bronze. Black, Satin Nickel and White finish options highlighted with Satin Nickel detail and clear cable. Antique Bronze finish highlighted with Antique Bronze detail and brown cable. One 60 watt, 120 volt BT15 medium base lamp is required, but not included. Provided with six feet of field-cuttable suspension cable and a 4.5 inch round flush mount canopy. ETL listed. 5.5 inch diameter x 11.6 inch height x 83.6 inch length.



SHADE COLOR	Clear
BODY FINISH	Satin Nickel
WATTAGE	60W
DIMMER	Standard 120V
DIMENSIONS	83.6"L x 5.5"W x 11.6"H
BULB NOT INCLUDED	
LAMP	1 x BT15/Medium (E26)/60W/120V Halogen

SPEC # TLG63958



COMPANY	PROJECT	FIXTURE TYPE	APPROVED BY	DATE