



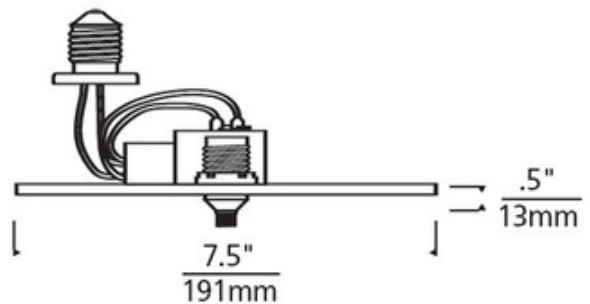
BRAND Visual Comfort Modern

DESCRIPTION

The Freejack Recessed Can Adapter 12V is use to retrofit existing recessed downlights for use with FreeJack elements. Mounts to any recessed can that is 6.25 to 6.50 inches in diameter with C shape hooks on the inside can wall. Transformer included. Available in White. Dimmable with a low voltage electronic dimmer, sold separately. ETL listed for use with the following recessed cans: Juno IC2, Juno IC22, Juno TC2 and TC2R, Halo H7T and H7RT, Cooper Lighting H27RT, Capri (Thomas) Lighting PR75ASIC/TPR75ASIC/DY6431, Progress Lighting P7TG, P8TG and PIO8TG.



SHADE COLOR	N/A
BODY FINISH	Chrome
WATTAGE	N/A
DIMMER	Low Voltage Electronic
DIMENSIONS	7.5"W x 5"H
LAMP	N/A



SPEC # TLG67166

COMPANY	PROJECT	FIXTURE TYPE	APPROVED BY	DATE