



DESIGNER

Neil Poulton

BRAND

Artemide

DESCRIPTION

The Talak Fluorescent Table with Clamp with cord and plug features a clamp in polished aluminum, stem in chrome polished steel and body in painted white thermoplastic resin. The body of the lamp rotates 360 degrees on the horizontal plane and is adjustable in height. One 13 watt T2 fluorescent lamp included. Also available in an LED version. 24 1/8 inches high x 33 9/16 inches wide. Direct adjustable light distribution. UL listed.



SHADE COLOR

White

BODY FINISH

Chromed Steel

WATTAGE

13W

DIMMER

Not Dimmable

DIMENSIONS

33.56"W x 24.13"H

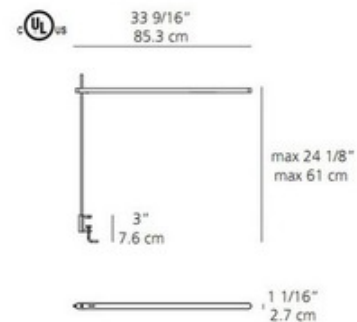
BULB INCLUDED

LAMP

1 x T2/Axial/13W/120V Fluorescent

SPEC #

ART68399



Talak FLU/LED clamp

fluorescent source

- 1 x 13W (axial/T2) supplied



or

LED source

- 80 LEDs/8W supplied



COMPANY

PROJECT

FIXTURE TYPE

APPROVED BY

DATE