



**DESIGNER**

Neil Poulton

**BRAND**

Artemide

**DESCRIPTION**

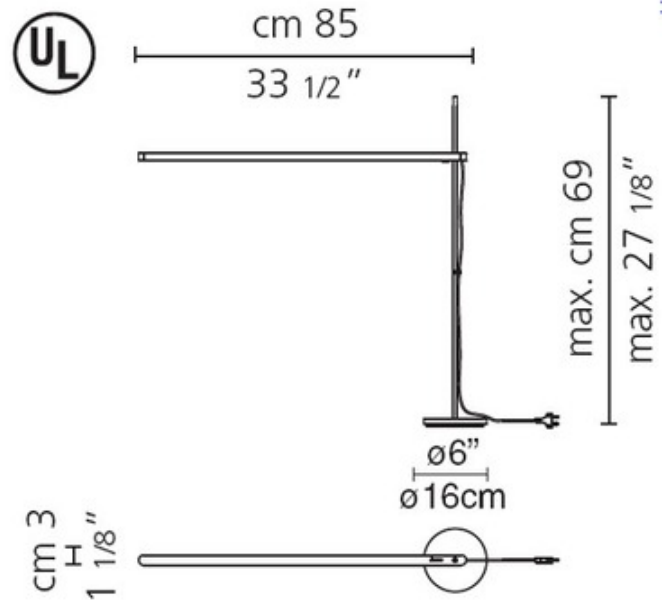
Talak Fluorescent table lamp features a body in a matte white thermoplastic resin with a stem in chromed polished steel and base in painted iron. Body rotates 360 degree on the horizontal plane and can be adjusted in height by sliding it along its stem. Also available as an LED version. One 13 watt T2 fluorescent lamp included. 27 9/16 inches high x 33 9/16 inches wide with 6 7/16 inch diameter base. Direct adjustable light distribution. UL listed.



<b>SHADE COLOR</b>	White
<b>BODY FINISH</b>	Chromed Steel
<b>WATTAGE</b>	13W
<b>DIMMER</b>	Not Dimmable
<b>DIMENSIONS</b>	33.56"W x 27.56"H
<b>BULB INCLUDED</b>	
<b>LAMP</b>	1 x T2/Axial/13W/120V Fluorescent

SPEC #

ART68401



COMPANY

PROJECT

FIXTURE TYPE

APPROVED BY

DATE