



DESIGNER

Neil Poulton

BRAND

Artemide

DESCRIPTION

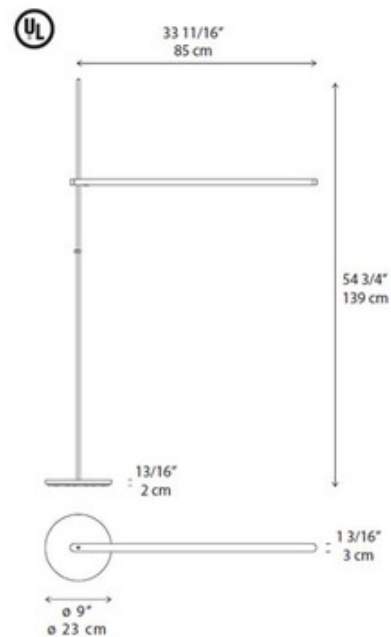
The Talak Fluorescent Floor Lamp features a base in painted iron, a stem in chromed polished steel and body in painted white thermoplastic resin. The lamp rotates at 360 degrees on the horizontal plane and is adjustable in height. On/off switch on body for fluorescent version. Also available in an LED version. Includes one 13 watt T2 fluorescent lamp. 54.75 inches high x 33.50 inches deep with 9 inch diameter base. Direct adjustable light distribution. UL listed.



SHADE COLOR	White
BODY FINISH	Chromed Steel
WATTAGE	13W
DIMMER	Not Dimmable
DIMENSIONS	33.5"W x 54.75"H
BULB INCLUDED	
LAMP	1 x T2/Axial/13W/120V Fluorescent

SPEC #

ART68416



COMPANY

PROJECT

FIXTURE TYPE

APPROVED BY

DATE