



DESIGNER

Richard Sapper

BRAND

Artemide

DESCRIPTION

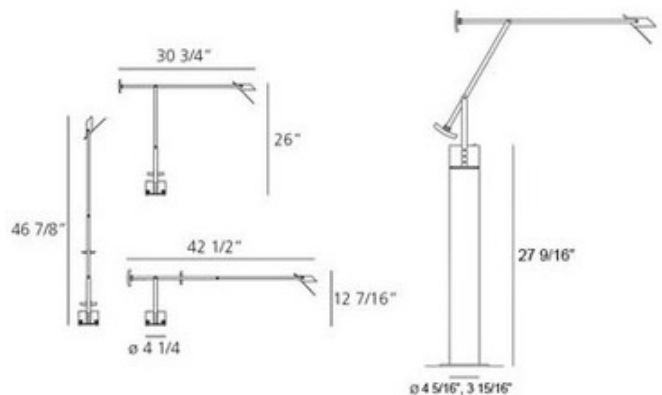
The Tizio Classic Floor Lamp features a floor support in lacquered steel with snap in adapter kit in molded thermoplastic. Incorporated low voltage transformer and two intensity on/off switch. Fully adjustable arms in anti-corrosion treated aluminum. Arm spacer bars in chromed steel with red molded thermoplastic insulators and counterweights in zinc alloy. Adjustable diffuser in die-cast aluminum with inner high efficiency reflector in anodized aluminum with UV protective glass. 360 degree rotatable base. Available in Black. Dimmer is located on the base. UL listed.



Shown in: Black / Black

SHADE COLOR	Black
BODY FINISH	Black
WATTAGE	50W
DIMMER	Included
DIMENSIONS	4.4"W x 27.56"H
BULB INCLUDED	
LAMP	1 x T4/GY6.35 (bipin)/50W/12V Halogen

SPEC # ART68419



COMPANY	PROJECT	FIXTURE TYPE	APPROVED BY	DATE