



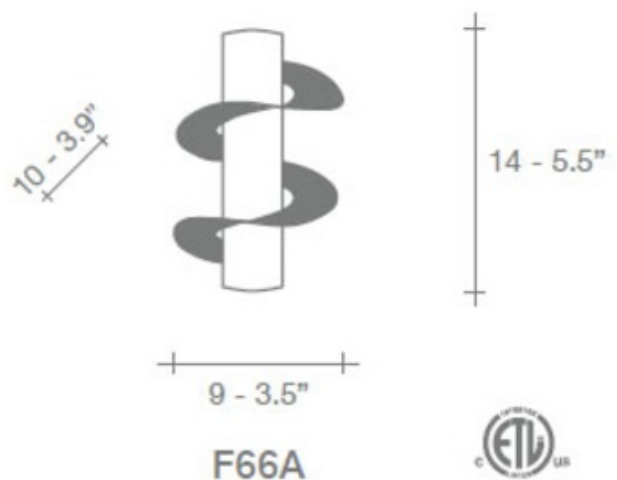
DESIGNER Jean-Francois Crochet
BRAND Terzani USA

DESCRIPTION

Solune Double Spiral wall sconce was designed by Jean-Francois Crochet. It is available in Amber tubular scavo glass diffuser with hand-waxed Rust finish. Also available in Gold or Satin Nickel finish with White scavo glass. Also available in suspension, wall sconce and ceiling flush versions. One 75 watt 120 volt T3 Short J-type halogen lamp not included. ETL listed. 3.5" width x 5.5" height x 3.9" depth.



SHADE COLOR	White
BODY FINISH	Rust
WATTAGE	75W
DIMMER	Standard 120V
DIMENSIONS	3.5"W x 5.5"H x 3.9"D
BULB NOT INCLUDED	
LAMP	1 x T3SHORT/R7s (RSC)/75W/120V Halogen



SPEC # TRZ69549

COMPANY	PROJECT	FIXTURE TYPE	APPROVED BY	DATE